

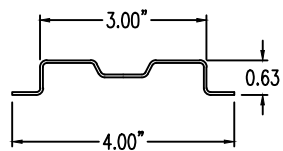
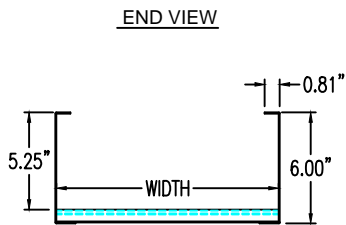
Steel Ladder/Ventilated Tray

Straight Reducer (6"H)

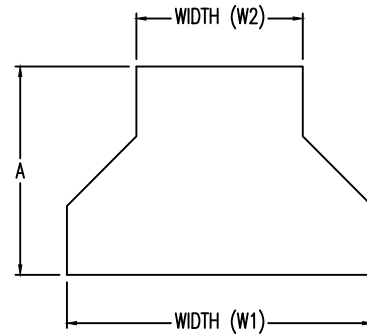
Straight Reducer (STEEL)

Manufactured in Canada by Niedax CER

Note: Couplings C/W Hardware are supplied with each fitting.

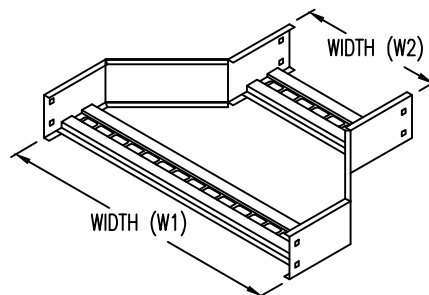
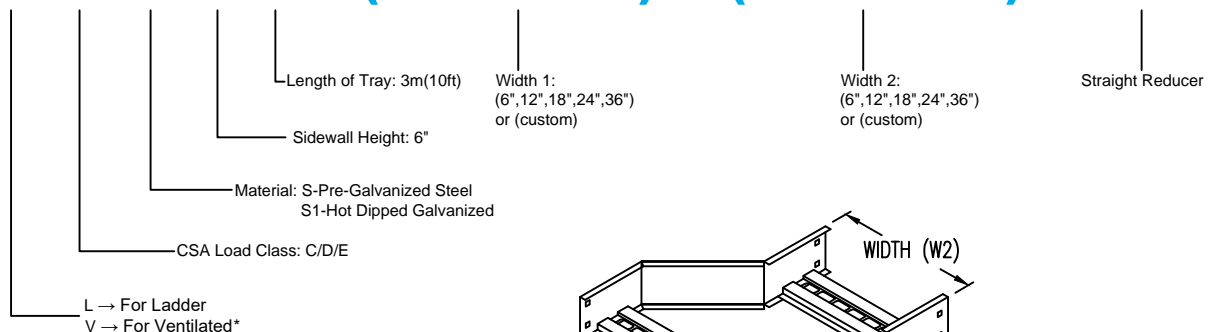


RUNG END VIEW



STEEL LADDER/VENTILATED TRAY STRAIGHT REDUCER ORDERING DATA EXAMPLE

L C S 6 3 - (Width 1) - (Width 2) - SR



2799 Barton St E
Hamilton, ON L8E 2J8
Toll Free: 1 877.213.8045
Phone:905.337.7522
Cerinc.ca

NOTES:

* CSA Ventilated tray has a rung spacing of 4" between rungs.

