

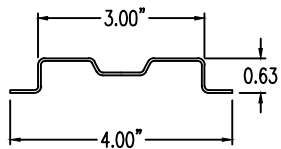
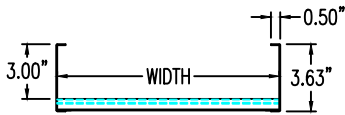
Steel Ladder/Ventilated Tray

Horizontal CROSS (4"H)

HORIZONTAL CROSS (STEEL)

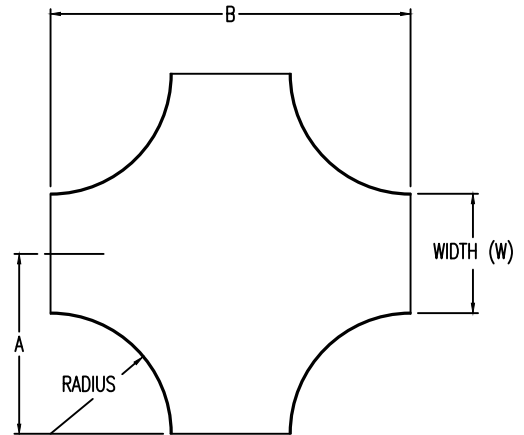
Manufactured in Canada by Niedax CER

END VIEW



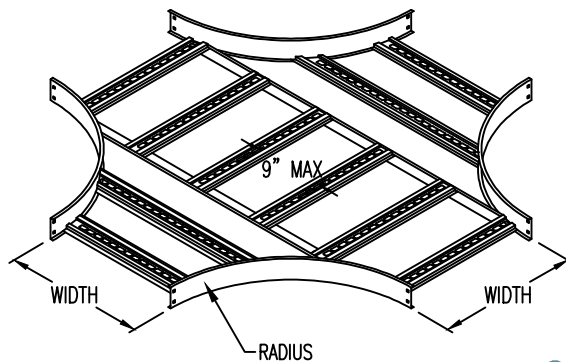
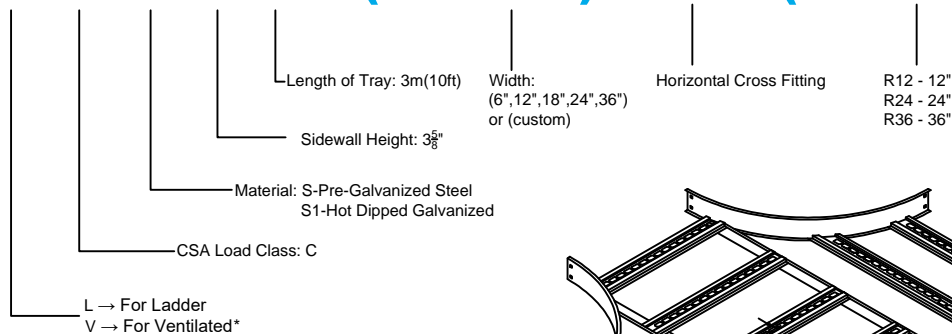
RUNG END VIEW

Note: Couplings C/W Hardware are supplied with each fitting.



STEEL LADDER/VENTILATED TRAY HORIZONTAL CROSS ORDERING DATA EXAMPLE

L C S 4 3 - (Width) - X - (Radius)



2799 Barton St E
Hamilton, ON L8E 2J8
Toll Free: 1 877.213.8045
Phone:905.337.7522
Cerinc.ca

NOTES:

* CSA Ventilated tray has a rung spacing of 4" between rungs.

