

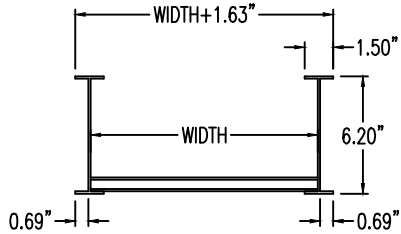
Aluminum Ladder/Ventilated Tray

Horizontal CROSS (6"H)

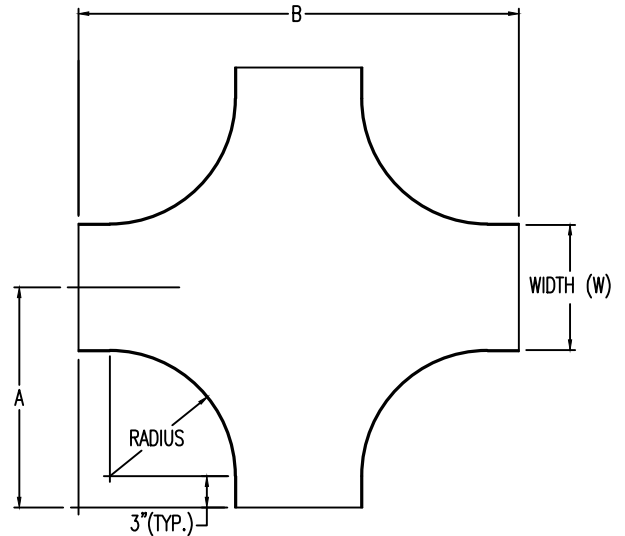
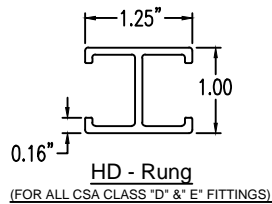
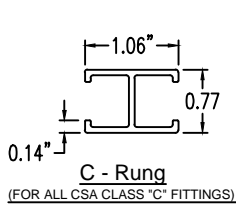
HORIZONTAL CROSS (ALUMINUM)
 Manufactured in Canada by Niedax CER

Note: Couplings C/W Hardware are supplied with each fitting.

END VIEW

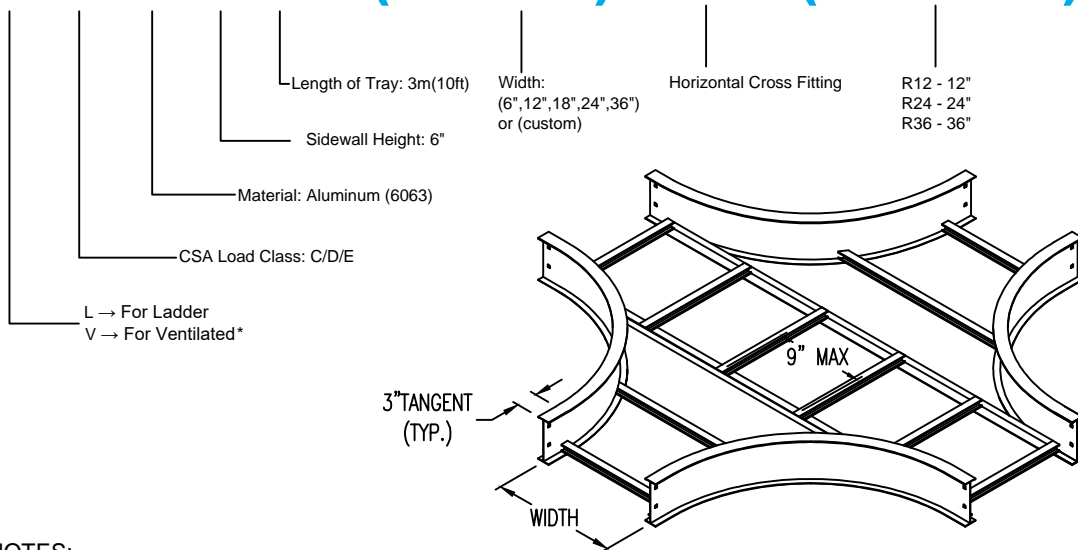


RUNG END VIEWS



ALUMINUM LADDER/VENTILATED TRAY HORIZONTAL TEE FITTING ORDERING DATA EXAMPLE

L C A 6 3 - (Width) - X - (Radius)



2799 Barton St E
 Hamilton, ON L8E 2J8
 Toll Free: 1 877.213.8045
 Phone: 905.337.7522
 Cerinc.ca

NOTES:
 * CSA Ventilated tray has a rung spacing of 4" between rungs.

