

Aluminum Ladder/Ventilated Tray

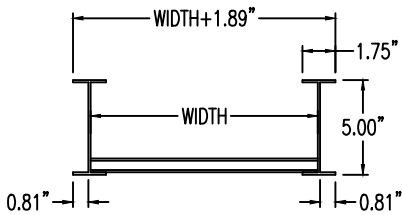
Horizontal TEE (5"H)

HORIZONTAL TEE (ALUMINUM)

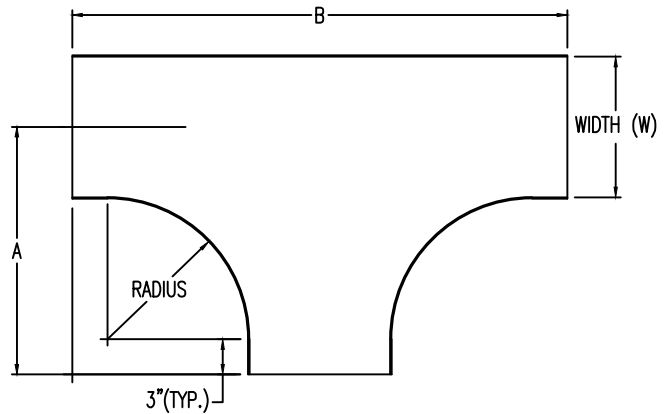
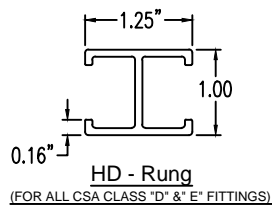
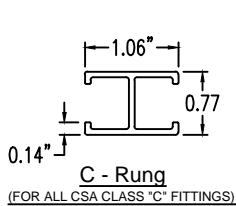
Manufactured in Canada by Niedax CER

Note: Couplings C/W Hardware are supplied with each fitting.

END VIEW

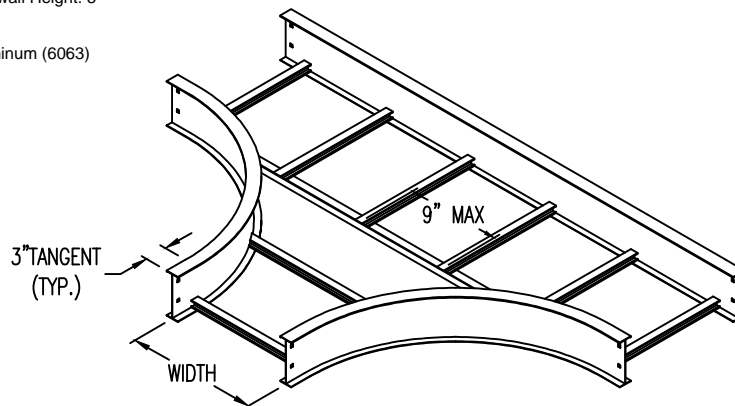
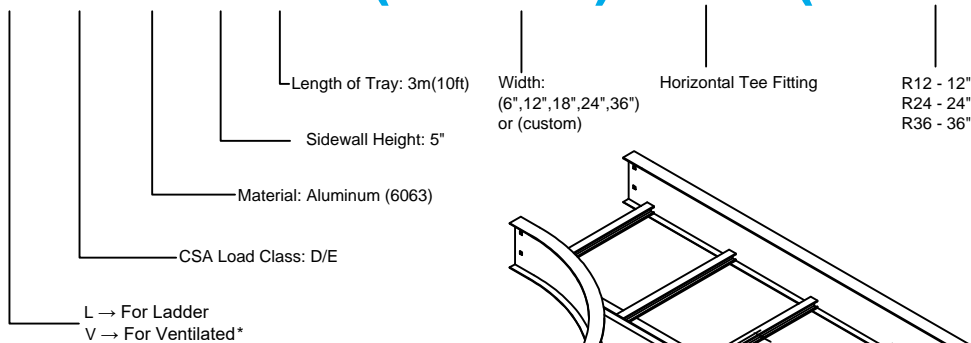


RUNG END VIEWS



ALUMINUM LADDER/VENTILATED TRAY HORIZONTAL TEE FITTING ORDERING DATA EXAMPLE

L D A 5 3 - (Width) - T - (Radius)



2799 Barton St E
Hamilton, ON L8E 2J8
Toll Free: 1 877.213.8045
Phone: 905.337.7522
Cerinc.ca

NOTES:

* CSA Ventilating tray has a rung spacing of 4" between rungs.

